

The Jessie Collection



As shown: 1E Accent Chair.

Leather: Caresa.

Color: Snowflake

85% European cowhide, 15% Stain Resistant Polyester.

Spring System: Tempered steel 8 gauge zig zag springs.

Backs: High resiliency foam core , wrapped in feather/ down/ polyester blend in envelopes, that are channeled to prevent bunching.

Seats: High resiliency foam core , wrapped in feather/ down/ polyester blend in envelopes, that are channeled to prevent bunching.

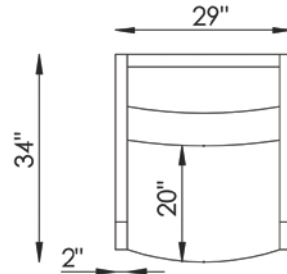
Seats: Solid Wenge.

Frame: Combination of Hardwood/ furniture grade laminate frame - corner blocked, glued & stapled

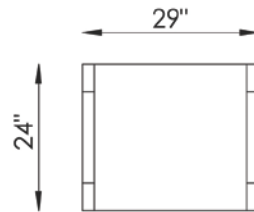
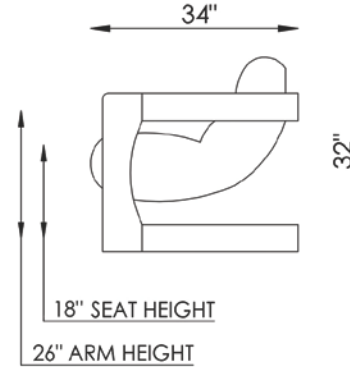
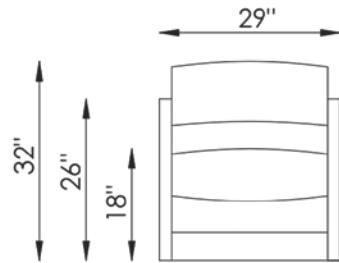
Notes:

The Jessie Collection

SKU	Product
1E	Accent Chair
00	Ottoman



1E - ACCENT CHAIR
29"W X 34"D X 32"H



00 - OTTOMAN
29"W X 24"D X 18"H

