

## The Lucia Collection



**As shown:** 30 Sofa  
**Leather:** Dreamer  
**Color:** Parchment.  
100% top grain cowhide

**Spring System:** Tempered steel 8 gauge zig zag springs.

**Backs:** Feather/down/polyester blend in feather proof cotton ticking, that is channeled to prevent bunching.

**Seats:** Individually pocketed coil springs encased in high-resiliency foam, wrapped in feather/down/polyester blend in envelopes that are channeled to prevent bunching.

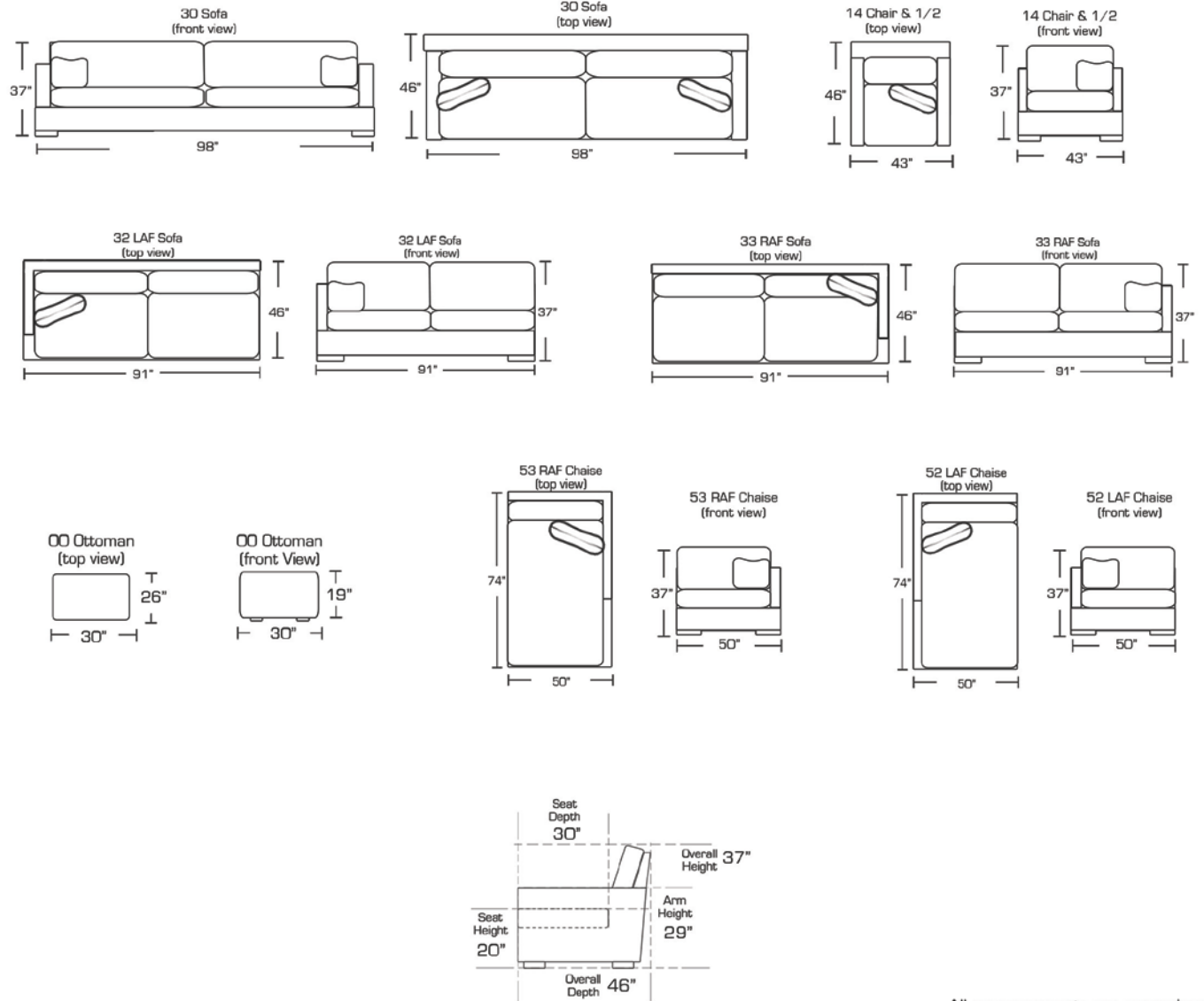
**Base:** Reclaimed finish hardwood.

**Frame:** Combination of Hardwood/Plywood frame - corner blocked, glued & stapled

**Notes:** 30/20 come with 2 leather pillows  
14/32/33/52/53 Come with 1 leather pillow

# The Lucia Collection

SKU	Product
33	RAF Sofa
32	LAF Sofa
53	RAF Chaise
52	LAF Chaise
30	Sofa
14	Chair & 1/2
00	Ottoman



All measurements are approximate.